

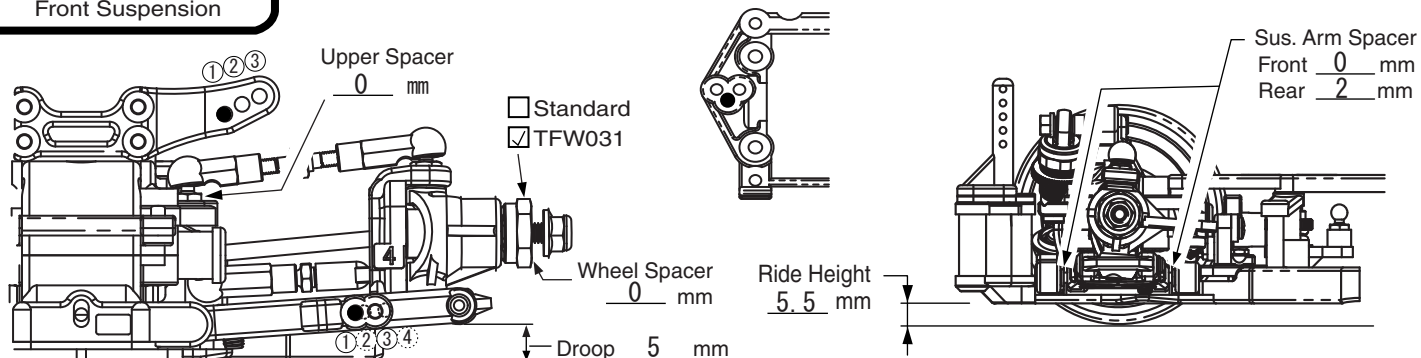
Name
予選4位：宮崎和弘

Date
2009.7.4

Truck / City
岡山 おもちゃ王国

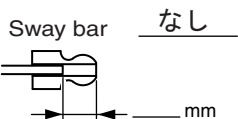
Event
京商トロフィー

Front Suspension



Sus. Holder Spacer

- Front Rear



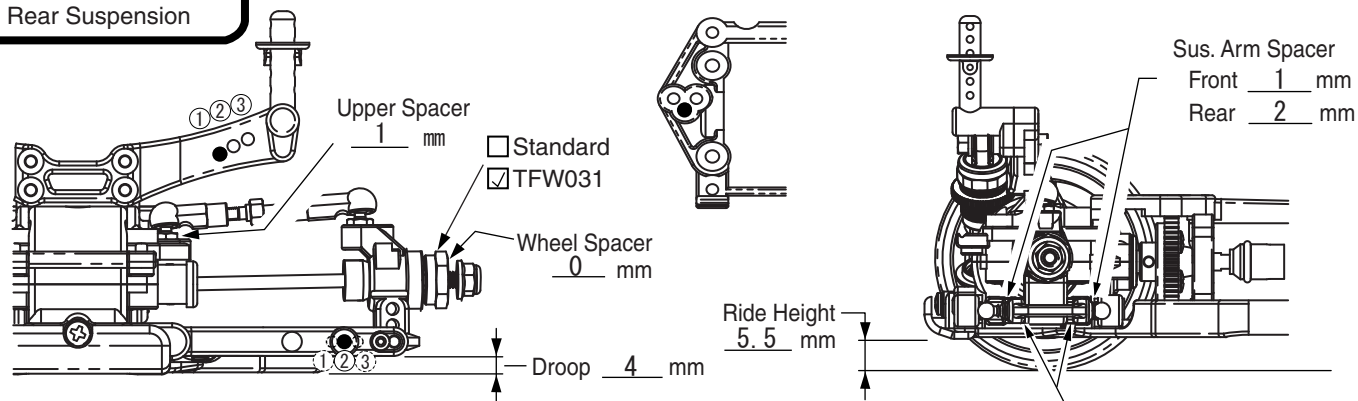
Toe Angle 0°

Camber Angle 1°

Front Diff.

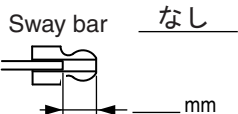
- Spool
 Oneway
 Diff.

Rear Suspension



Sus. Holder Spacer

- Front Rear



Toe Angle ___°

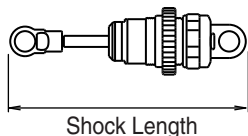
Camber Angle 1°

Hub Carrier Spacer
 Front 2 mm
 Rear 0 mm

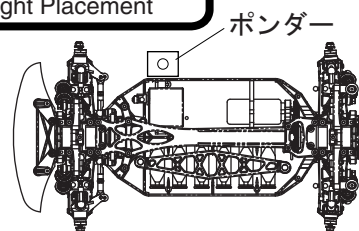
Shock

	Front	Rear
Shock Piston	2B -	2B -
Shock Oil	# 600	# 500
Shock Spring	kit標準	kit標準
Diaphragm	標準	標準
Pressure Form	標準	標準
Shock Length	60 mm	63 mm

Standard W5189



Weight Placement



Tire

Tire	Comments
KCスリック M	-----
Inserts 96250H 京商ハード	-----
Wheel VZH001 京商6本スポーク	-----
Traction Compound 1st: マイティ 2nd:	-----

Others

Motor G20	2nd Gear Ratio : 2.5
Pinion/Spur 36 / 68	Gear Ratio 4.73
Battery Orion3300	ESC KO VFS-1
Body SC430	Wing 標準

Truck Condition

- Smooth Asphalt
 Bumpy Concrete
 Low Truction Carpet
 Med. Truction Indoor
 Higt Truction Outdoor

Comment :

リヤサスホルダーTF131使用。(F:outC, RF:inB, RR:outF)