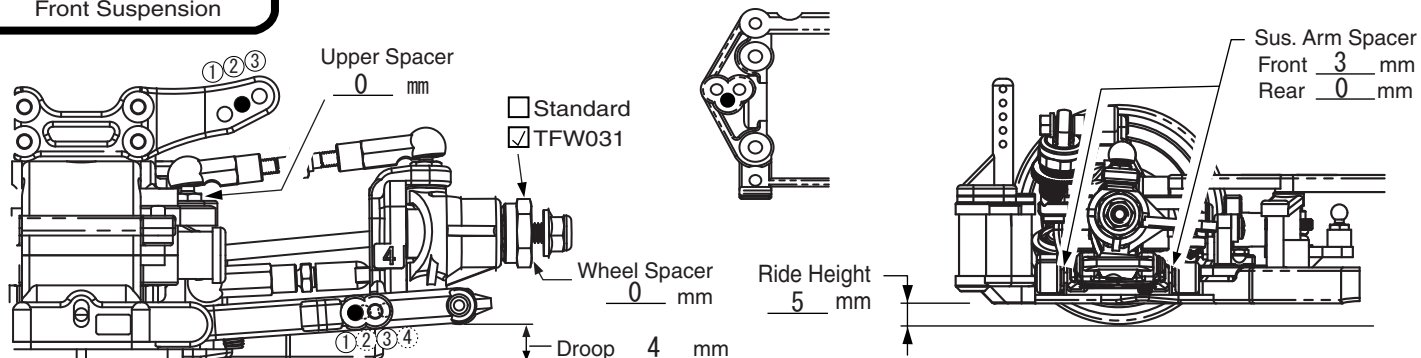


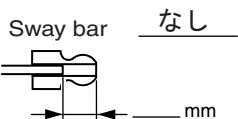
Name 予選3位：河野倫義 (tom-k) Date 2009. 7. 4 Truck / City 岡山 おもちゃ王国 Event 京商トロフィー

Front Suspension



Sus. Holder Spacer

- Front
 Rear



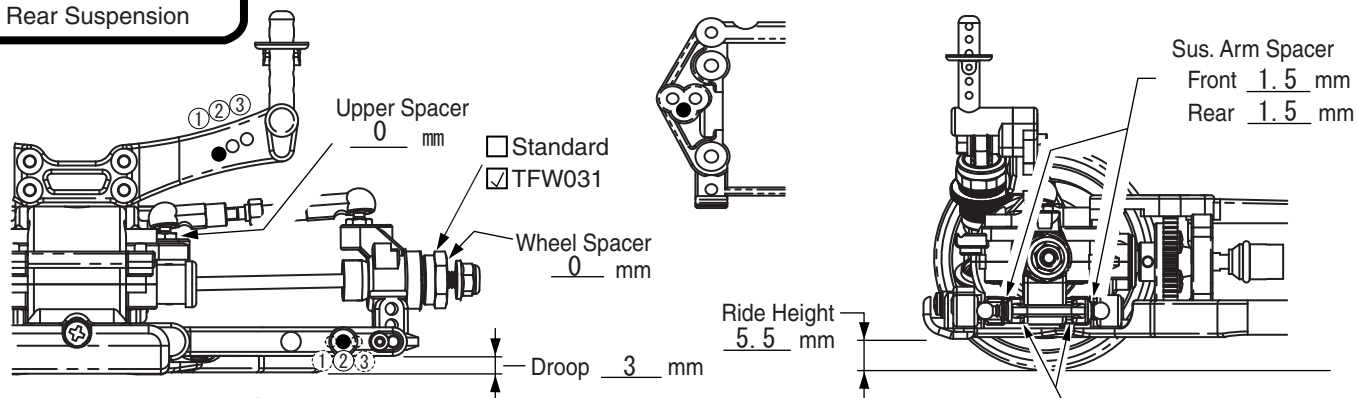
Toe Angle 1°

Camber Angle 1°

Front Diff.

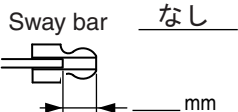
- Spool
 Oneway
 Diff.

Rear Suspension



Sus. Holder Spacer

- Front
 Rear



Toe Angle 2°

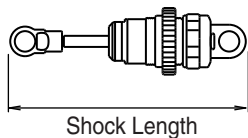
Camber Angle 1.5°

Hub Carrier Spacer
 Front 2 mm
 Rear 0 mm

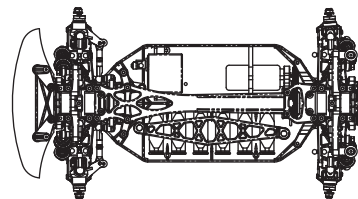
Shock

	Front	Rear
Shock Piston	-	-
Shock Oil	# 500	# 450
Shock Spring	W5189-32	kit標準
Diaphragm	標準	標準
Pressure Form	なし	なし
Shock Length	_____ mm	_____ mm

Standard W5189



Weight Placement



Tire

Tire	Comments
KCスリック M	-----
Inserts エキストリームS 4.8mm	-----
Wheel 京商6本スポーク	-----
Traction Compound 1st: なし 2nd: なし	-----

Others

Motor G20 2nd Gear Ratio : 2.5
 Pinion/Spur _____ / _____ Gear Ratio _____
 Battery Orion4000 ESC ツイスター2.2
 Body NSX Wing 標準

Truck Condition

- Smooth Asphalt
 Bumpy Concrete
 Low Truction Carpet
 Med. Truction Indoor
 Higt Truction Outdoor

Comment :
