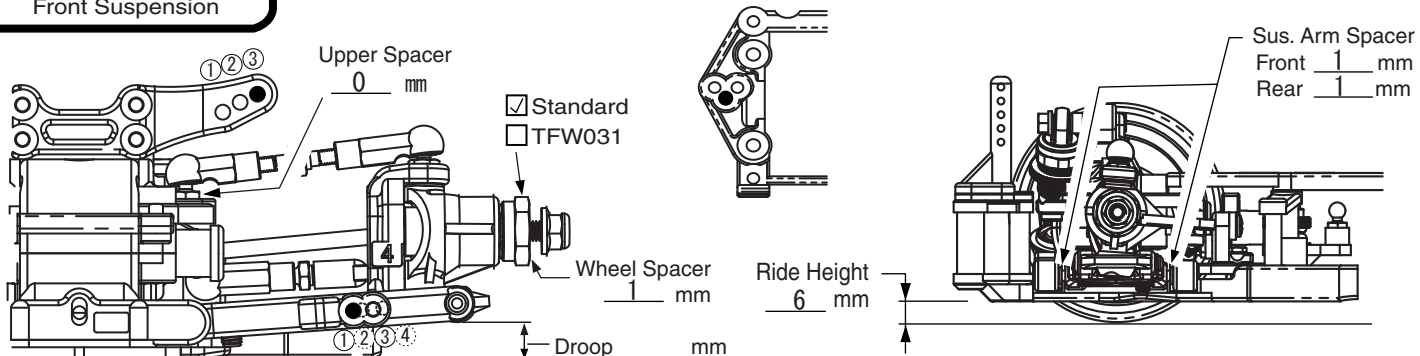


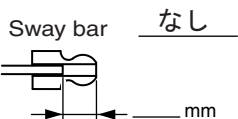
Name 決勝1位：平松友佳 Date 2009.7.4 Truck / City 岡山 おもちゃ王国 Event 京商トロフィー

Front Suspension



Sus. Holder Spacer

- Front Rear



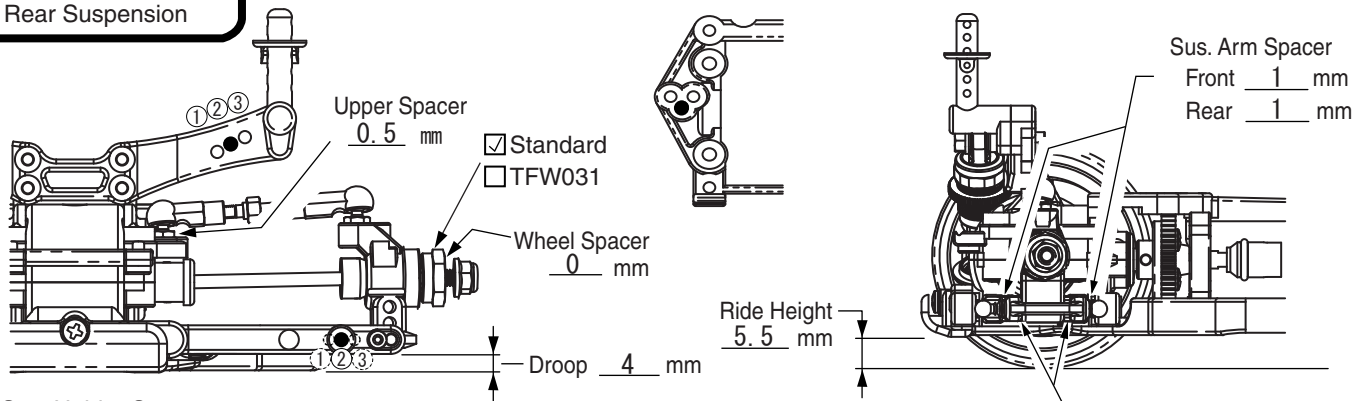
Toe Angle 0°

Camber Angle 1.5°

Front Diff.

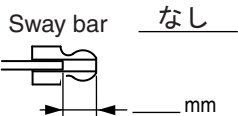
- Spool
 Oneway
 Diff.

Rear Suspension



Sus. Holder Spacer

- Front Rear



Toe Angle 3°

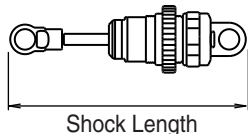
Camber Angle 2°

Hub Carrier Spacer
Front 2 mm
Rear 0 mm

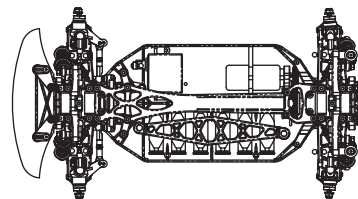
Shock

	Front	Rear
Shock Piston	-	-
Shock Oil	# 400	# 350
Shock Spring	W5189-32	W5189-32
Diaphragm	kit標準	kit標準
Pressure Form	なし	なし
Shock Length	62.5 mm	63 mm

Standard W5189



Weight Placement



Tire

Tire	Comments
<u>KCスリック M</u>	-----
Inserts <u>ゼノンアクア</u>	-----
Wheel <u>VZH001 京商6本スポーク</u>	-----
Traction Compound 1st: <u>なし</u> 2nd: _____	-----

Others

Motor <u>G20</u>	2nd Gear Ratio : 2.5
Pinion/Spur <u>36 / 68</u>	Gear Ratio <u>4.73</u>
Battery <u>Orion3300</u>	ESC <u>MC850</u>
Body <u>SC430</u>	Wing <u>標準</u>

Truck Condition

- Smooth Asphalt
 Bumpy Concrete
 Low Traction Carpet
 Med. Traction Indoor
 High Traction Outdoor

Comment :
