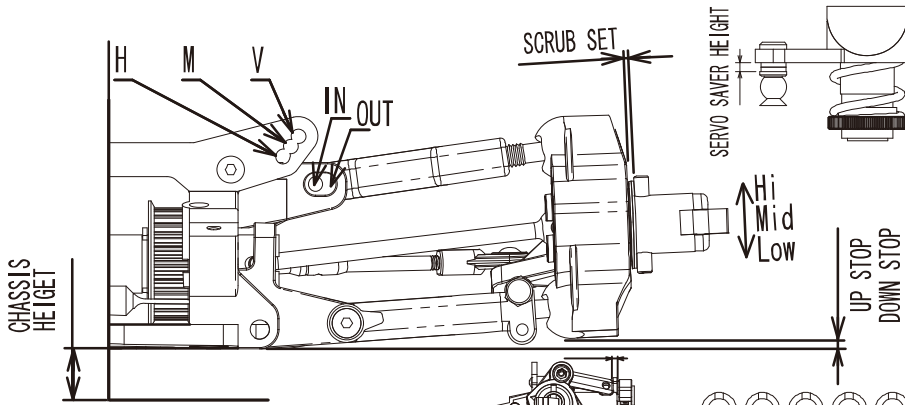


EVOLVA M3 Evo SETTING DATA SHEET Ver 1.00

NAME	TEMP	°C	ENGINE	MUFFLER
DATE	HUMIDITY	%	HEAD CLEARANCE	mm
TRACK	TRACTION	%	PLUG No.	RADIO

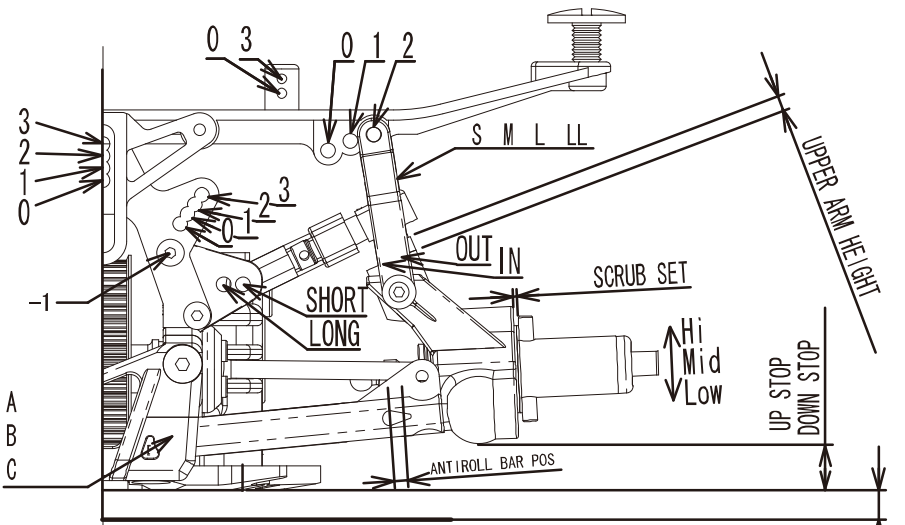


SHOCK OIL	300 350 400 450 500 550 600
DIAPHRAGM	N
SHOCK PISTON	N
SPRING	1.8 1.9 2.0
SPRING ADJUSTER	mm
SHOCK POS	H M V
SCRUB SET	0.5 1.0 1.5 2.0
CASTER ANGLE / W.B	° / N FMW644 / L N S
CAMBER ANGLE OG/1G	L 0 0.5 1 1.5 2 2.5 3
	R 0 0.5 1 1.5 2 2.5 3
TOE ANGLE	°
FRONT WIDTH OG/1G	mm
UP STOP	mm
DOWN STOP	mm
ANTIROLL BAR VZ084 VZ084s	
TIRE HARDNESS	32 35 37 40
TIRE TYPE	
TIRE DIAMETER	φ mm
CHASSIS HEIGHT	mm

SPACER	CASTER ANGLE	
	W.B Normal	W.B Short
6mm	6.7°	1.7°
5mm	8.4°	3.4°
4mm	10°	5°
3mm	11.6°	6.7°
2mm	13.2°	8.4°
1mm	14.8°	10°
0mm	16.4°	11.6°

SPACER	CASTER ANGLE	
	W.B Long	W.B Normal
6mm	6.7°	1.7°
5mm	8.4°	3.4°
4mm	10°	5°
3mm	11.6°	6.7°
2mm	13.2°	8.4°
1mm	14.8°	10°
0mm	16.4°	11.6°

3mm=Normal 0mm=Short	A B C D V
W.B (Wheel Base)	
SERVO SAVER POSITION	A B C D V
SERVO SAVER HEIGHT	4 3 2 1 0mm
STEERING ANGLE	%
FRONT UPPER (IN/OUT FMW607)	0 0.5 1.0 1.5mm
KNUCKLE ARM AXLE	Low Mid Hi
KNUCKLE ARM SPACER	mm
KNUCKLE ARM TYPE	0° 2°



SHOCK OIL	400 450 500 550 600 700 800
DIAPHRAGM	N
SHOCK PISTON	N
SPRING	1.8 1.9 2.0
SPRING ADJUSTER	mm
SHOCK POS	-1 0 1 2 3
SCRUB SET	0.5 1.0 1.5 2.0
UPPER ARM LONG/SHORT IN/OUT	mm
CAMBER ANGLE OG/1G	L 0.5 1 1.5 2 2.5 3 3.5
	R 0.5 1 1.5 2 2.5 3 3.5
TOE ANGLE	°
REAR WIDTH OG/1G	mm
UP STOP	mm
DOWN STOP	mm
ANTIROLL BAR /POS	φ3 / ○ mm
TIRE HARDNESS	32 35 37 40
TIRE TYPE	
TIRE DIAMETER	φ mm
CHASSIS HEIGHT	mm

Rear Pulley 20/48				Rear Pulley 22/51			
GEAR	TOTAL	GEAR	TOTAL	GEAR	TOTAL	GEAR	TOTAL
15/48	7.68	15/49	7.84	15/50	8.00	15/48	7.42
16/48	7.20	16/49	7.35	16/50	7.50	16/48	6.95
17/48	6.78	17/49	6.92	17/50	7.06	17/48	6.55
19/44	5.56	19/45	5.68	19/46	5.81	19/44	5.37
20/44	5.28	20/45	5.40	20/46	5.52	20/44	5.10
21/44	5.03	21/45	5.14	21/46	5.26	21/44	4.86

CLUTCH TYPE	2D 3D 4D	PINION GEAR	15 16 17 / 19 20 21
CLUTCH SHOE	BLACK RED GREY	SPUR GEAR	48 49 50 / 44 45 46
CENTRIFUGAL SHOE	N	Pulley (Side Rear)	26/18 48/20 25/18 51/22
CLUTCH SPRING		CENTER POST POSITION	0 / 1 / 2 / 3
CLEARANCE	mm	BODY MOUNT ANGLE	0 / 1 / 2
ADJ. NUT	mm	BODY MOUNT HEIGHT	S/M/L/LL 0/3
F-ONEWAY POS	UP / DOWN	FRONT CARBON	USE / NOT USE
BATTERY PLATE	N / CARBON / STAINLESS	SIDE CARBON	USE / NOT USE

SHOCK OIL	400 450 500 550 600 700 800
DIAPHRAGM	N
SHOCK PISTON	N
SPRING	1.8 1.9 2.0
SPRING ADJUSTER	mm
SHOCK POS	-1 0 1 2 3
SCRUB SET	0.5 1.0 1.5 2.0
UPPER ARM LONG/SHORT IN/OUT	mm
CAMBER ANGLE OG/1G	L 0.5 1 1.5 2 2.5 3 3.5
	R 0.5 1 1.5 2 2.5 3 3.5
TOE ANGLE	°
REAR WIDTH OG/1G	mm
UP STOP	mm
DOWN STOP	mm
ANTIROLL BAR /POS	φ3 / ○ mm
TIRE HARDNESS	32 35 37 40
TIRE TYPE	
TIRE DIAMETER	φ mm
CHASSIS HEIGHT	mm
SUS HOLDER	A / B / C
REAR HUB AXLE	Low / Mid / Hi
REAR WHEEL BASE	SHORT / LONG
BODY POSITION	mm
REAR SPOILER	mm

MEMO