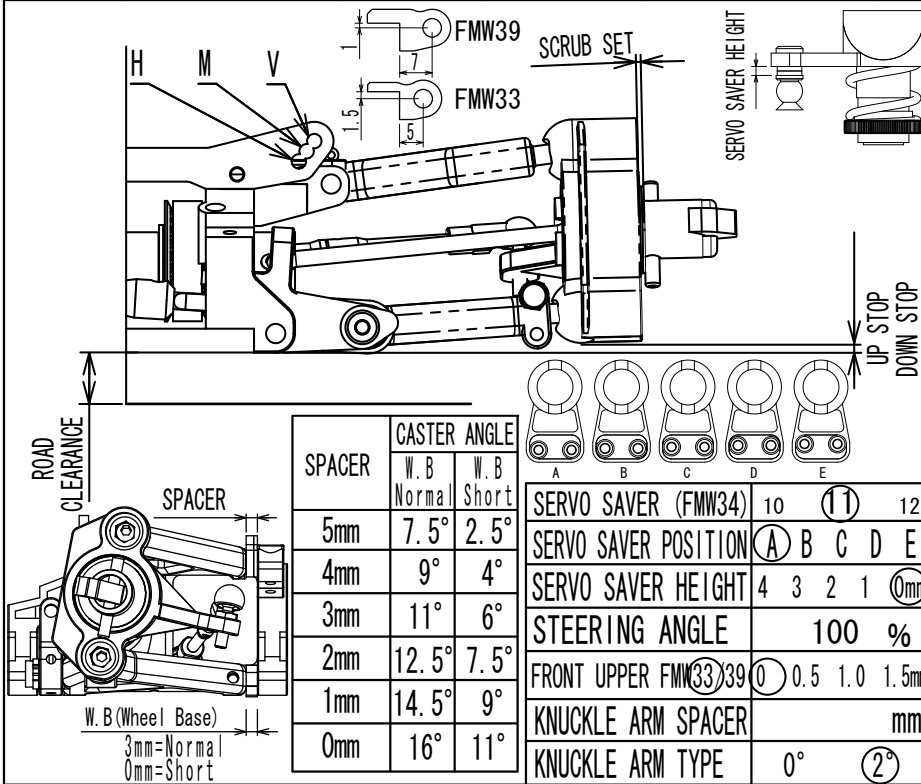


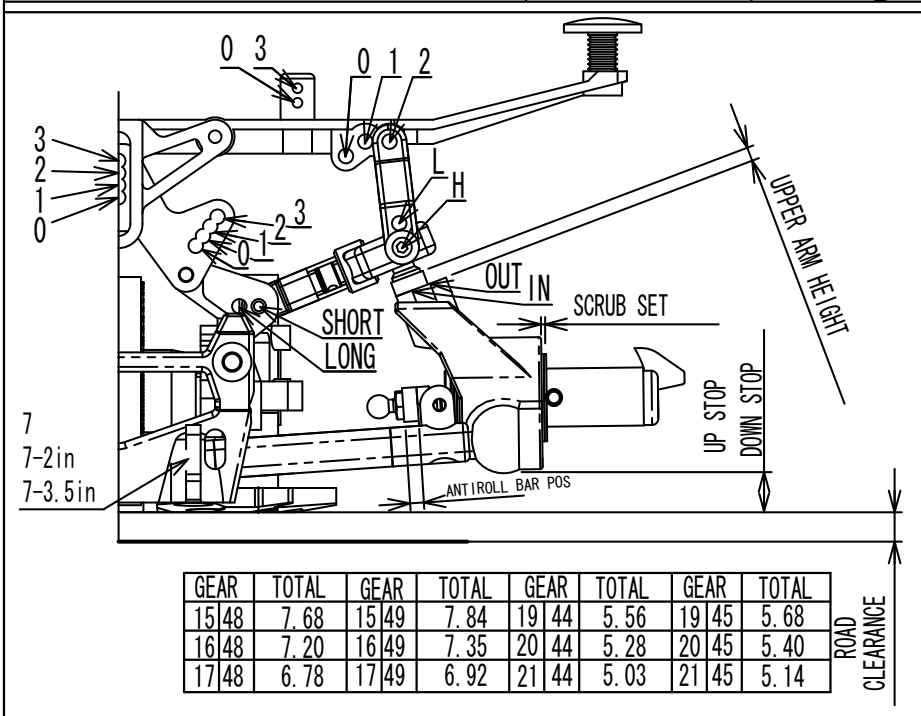
EVOLVA 2007

SETTING DATA SHEET Ver 1.00

NAME	菊池	TEMP	°C	ENGINE	SIRIO 21	MUFFLER	20B
DATE	2007. 6/9	HUMIDITY	%	HEAD CLEARANCE	0.54 mm	FUEL TYPE	トルネード 25%
TRACK	BOSS	TRACTION	%	PLUG No.	7 COLD	RADIO	M11



SHOCK OIL	400 450 500 (550) 600 700 800
DIAPHRAGM	(N)
SHOCK PISTON	(N) φ1.2-1
SPRING	1.8 (1.9) 2.0 ホワイト
SPRING ADJUSTER	mm
SHOCK POS	(H) M V
SCRUB SET (FMW20-1)	(0.5) 1.0 1.0 (FMW20)
CASTER ANGLE / W. B	9° / Normal (Short)
CAMBER ANGLE (OG) IG	L 0 (0.5) 1 1.5 2 2.5 3 R 0 (0.5) 1 1.5 2 2.5 3
TOE ANGLE	-1°
FRONT WIDTH OG (IG)	252 mm
UP STOP	mm
DOWN STOP	0 mm
ANTIROLL BAR VZ084 VZ084S	(●) (○) (○) (○) (○)
TIRE HARDNESS	(32) 35 37 40
TIRE TYPE	スタンダード
TIRE DIAMETER	φ 70 mm
ROAD CLEARANCE	7.5 mm



SHOCK OIL	400 450 500 550 600 (700) 800
DIAPHRAGM	(N)
SHOCK PISTON	(N) φ1.1-2
SPRING	1.8 (1.9) 2.0 ホワイト
SPRING ADJUSTER	mm
SHOCK POS	0 (1) 2 3
SCRUB SET	0.5 1.0 (1.5) 2.0
UPPER ARM LONG/SHORT	(N)/OUT 3mm
CAMBER ANGLE (OG) IG	L (0.5) 1 1.5 2 2.5 3 3.5 R (0.5) 1 1.5 2 2.5 3 3.5
TOE ANGLE	-2°
REAR WIDTH OG (IG)	262 mm
UP STOP	mm
DOWN STOP	9 mm
ANTIROLL BAR / POS	φ 3 / (●)
TIRE HARDNESS	32 (35) 37 40
TIRE TYPE	スタンダード
TIRE DIAMETER	φ 77 mm
ROAD CLEARANCE	8.5 mm
SUS HOLDER	7 / 7-2in / (7-3.5in)

CLUTCH TYPE	2D (3D) 4D	PINION GEAR	15 (16) 17 / 19 (20) 21
CLUTCH SHOE	BLACK RED (GREY)	SPUR GEAR	48 (49) / 44 (45)
CENTRIFUGAL SHOE	N	DRIVE RATIO	7mm Difference 26/18(420 BELT)
CLUTCH SPRING	4D	CENTER POST POSITION	0 / 1 / (2) / 3
CLEARANCE	0.45 mm	BODY MOUNT ANGLE	0 / (1) / 2
ADJ. NUT	mm	BODY MOUNT HEIGHT	L / (H) (0) / 3
MEMO			

BODY	DOME ナロー
BODY POSITION	5 mm
REAR SPOILER	17 mm