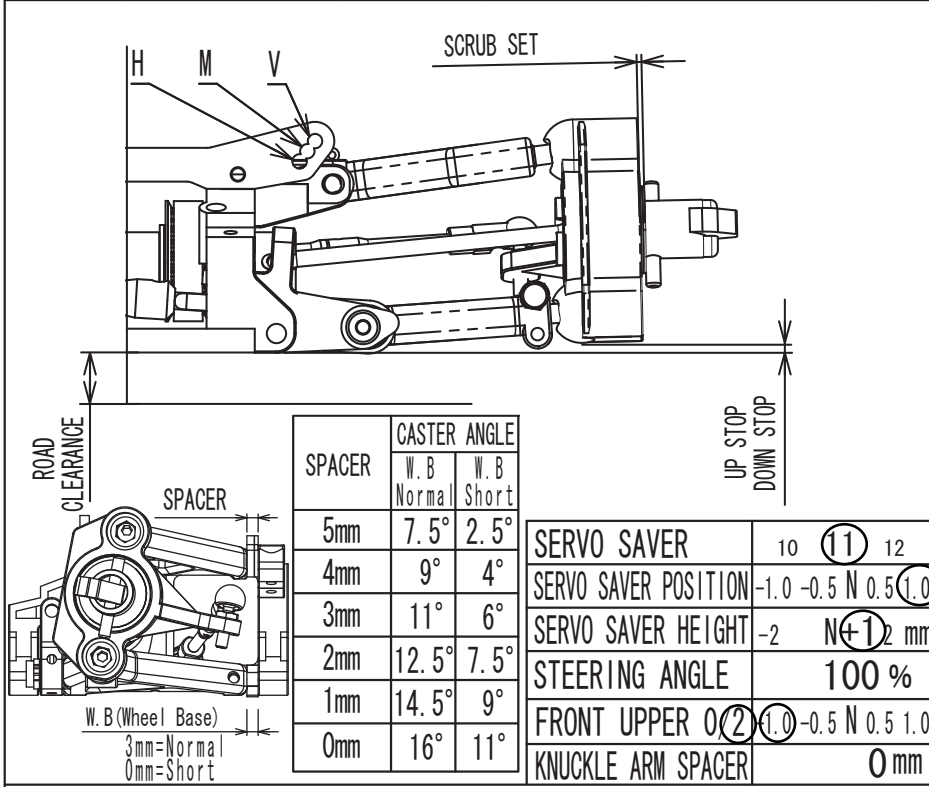
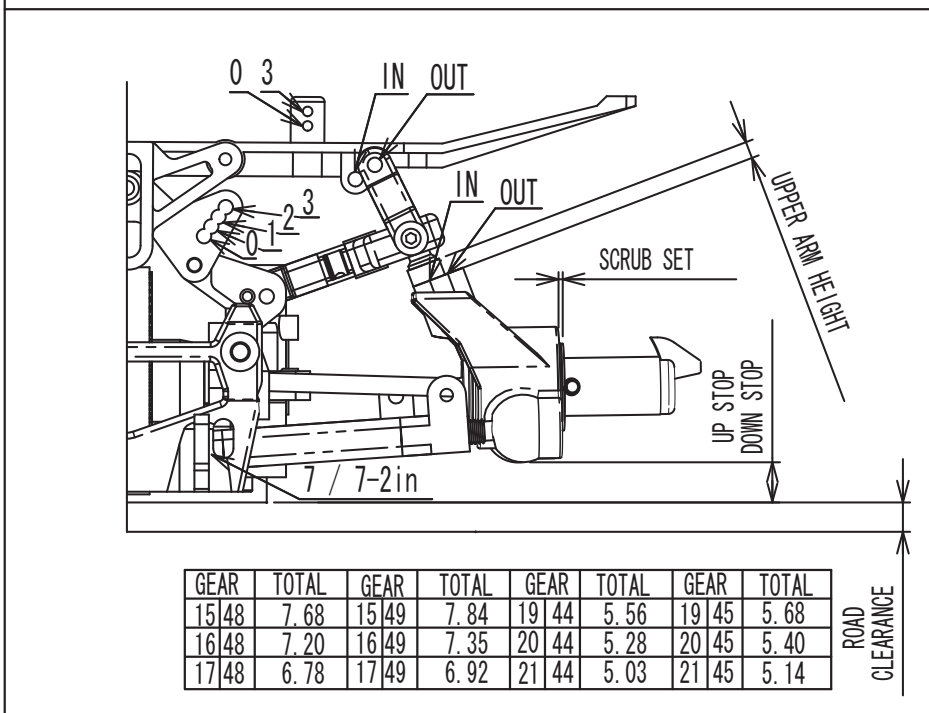


EVOLVA 2005 SETTING DATA SHEET Ver1.00

NAME	L Collari	TEMP	°C	ENGINE	Collari	MUFFLER	SIRIO 2013
DATE	10 / Sep / 2005	HUMIDITY	%	HEAD CLEARANCE	0.5 mm	FUEL TYPE	LC 25%
TRACK	A. M. C Messina	TRACTION	%	PLUG No.	S7-COLD	RADIO	SANWA Super EXES



SHOCK OIL	400 450 (500) 550 600 700 800
DIAPHRAGM	(N) (W6006)
SHOCK PISTON	(N) ϕ 1.2-1Hole
SPRING	1.8 (9) 2.0 White
SPRING ADJUSTER	mm
SHOCK POS	H (M) V
SCRUB SET	0.5 (1.0)
CASTER ANGLE / W. B	9° / Normal (Short)
CAMBER ANGLE	L (0) 0.5 1 1.5 2 2.5 3
	R (0) 0.5 1 1.5 2 2.5 3
TOE ANGLE	-1.5°
FRONT WIDTH (G) 1G	253 mm
UP STOP	- mm
DOWN STOP	1 mm
SERVO SAVER	10 (11) 12
SERVO SAVER POSITION	-1.0 -0.5 N 0.5 (1.0)
SERVO SAVER HEIGHT	-2 N (+1) 2 mm
STEERING ANGLE	100%
FRONT UPPER (0) (2) (1.0) -0.5 N 0.5 1.0	
SHOCK OIL	400 450 (500) 550 600 700 800
DIAPHRAGM	(N) (W6006)
SHOCK PISTON	(N) ϕ 1.1-2Hole
SPRING	1.8 1.9 (2.0) White
SPRING ADJUSTER	mm
SHOCK POS	0 1 (2) 3
SCRUB SET	0.5 (1.0) 1.5 2.0
UPPER ARM	3mm (IN) / OUT
CAMBER ANGLE	L (-1) 0.5 1 1.5 2 2.5 3 3.5
	R (0) 0.5 1 1.5 2 2.5 3 3.5
TOE ANGLE	+2.0°
REAR WIDTH (0) (1G)	262 mm
UP STOP	- mm
DOWN STOP	9 mm
ANTIROLL BAR	ϕ 3 / \emptyset
TIRE HARDNESS	32 (35) 37 40
TIRE TYPE	KYOSHO Tyres
TIRE DIAMETER	ϕ 76 mm
ROAD CLEARANCE	8 mm
SUS HOLDER	7 / 7-2in / (-3.5in)
BODY	(612018) Protoform LOLA
BODY POSITION	9.5 mm
REAR SPOILER	11 mm



SHOCK OIL	400 450 (500) 550 600 700 800
DIAPHRAGM	(N) (W6006)
SHOCK PISTON	(N) ϕ 1.1-2Hole
SPRING	1.8 1.9 (2.0) White
SPRING ADJUSTER	mm
SHOCK POS	0 1 (2) 3
SCRUB SET	0.5 (1.0) 1.5 2.0
UPPER ARM	3mm (IN) / OUT
CAMBER ANGLE	L (-1) 0.5 1 1.5 2 2.5 3 3.5
	R (0) 0.5 1 1.5 2 2.5 3 3.5
TOE ANGLE	+2.0°
REAR WIDTH (0) (1G)	262 mm
UP STOP	- mm
DOWN STOP	9 mm
ANTIROLL BAR	ϕ 3 / \emptyset
TIRE HARDNESS	32 (35) 37 40
TIRE TYPE	KYOSHO Tyres
TIRE DIAMETER	ϕ 76 mm
ROAD CLEARANCE	8 mm
SUS HOLDER	7 / 7-2in / (-3.5in)
BODY	(612018) Protoform LOLA
BODY POSITION	9.5 mm
REAR SPOILER	11 mm

CLUTCH TYPE	(3D) 4D	PINION GEAR	15 (16) 17 / (19) 20 21
CLUTCH SHOE	BLACK RED (GREY)	SPUR GEAR	48 (49) (44) 45
CENTRIFUGAL SHOE	N	DRIVE RATIO	7mm Difference 26/18 (420 BELT)
CLUTCH SPRING	4D		
CLEARANCE	0.5 mm	BODY MOUNT POSITION	IN / (OUT)
ADJ. NUT	0.7 mm	BODY MOUNT HEIGHT	(0) / 3

TIRE DIAMETER	ϕ 76 mm
ROAD CLEARANCE	8 mm
SUS HOLDER	7 / 7-2in / (-3.5in)
BODY	(612018) Protoform LOLA
BODY POSITION	9.5 mm
REAR SPOILER	11 mm

MEMO