

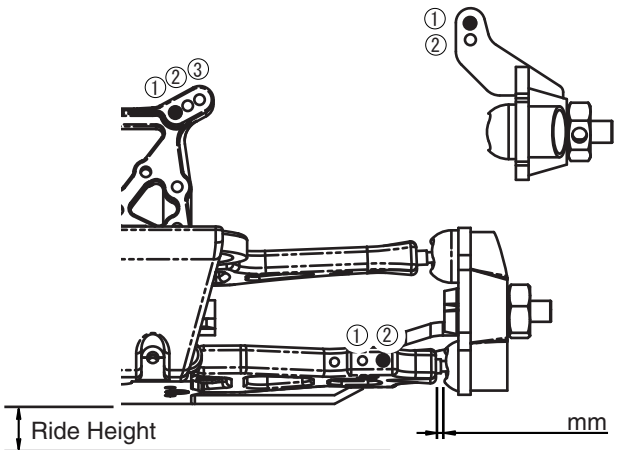
Name  
大館宏文

Date  
2009. 11. 22

Truck / City  
富士スピードウェイ特設

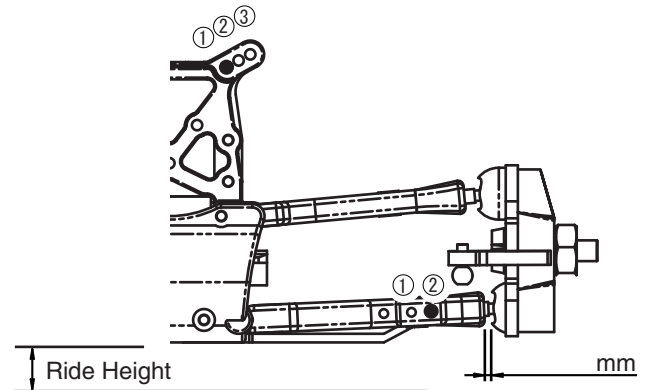
Event  
DRXチャレンジ

### Front Suspension



Toe  In  Out 0 °    Ride Height \_\_\_\_\_ mm  
Camber 2.5 °    Sway Bar φ2.3

### Rear Suspension



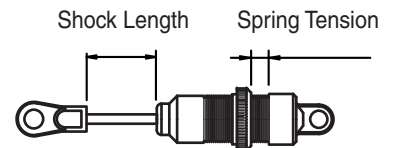
Toe  In  Out 3 °    Ride Height \_\_\_\_\_ mm  
Camber 2.5 °    Sway Bar φ2.3

### Shock

- kit / readysset  
 TRW105

	Front	Rear
Shock Piston	<u>kit付属</u>	<u>kit付属</u>
Shock Oil	<u># 550</u>	<u># 550</u>
Shock Spring	<u>TRW101-9014(ブルー)</u>	<u>TRW101-9014(ブルー)</u>
Shock Length	_____ mm	_____ mm
Spring Tension	<u>3</u> mm	<u>4</u> mm

Shock Length    Spring Tension



### Diff

Front Diff.	<u># 100000</u>	<input type="checkbox"/> 2bevel <input checked="" type="checkbox"/> 4bevel
Center Diff.	<u># 100000</u>	<input type="checkbox"/> 2bevel <input checked="" type="checkbox"/> 4bevel
Rear Diff.	<u># 30000</u>	<input type="checkbox"/> 2bevel <input checked="" type="checkbox"/> 4bevel

### Engine

Engine GXR-18  
Muffler kit標準  
Clutch bell / Spur 16T  
Clutch \_\_\_\_\_  
Clutch Spring \_\_\_\_\_

### Tire

Front Tire	<u>TRT122</u>	Compound _____
Rear Tire	<u>TRT122</u>	_____
Front Inserts	<u>TRT122付属+TR144</u>	_____
Rear Inserts	<u>TRT122付属+TR144</u>	_____
Wheel	<u>TRH121</u>	_____

### Truck Condition

- |  |   |   |
|--|---|---|
| <input type="checkbox"/> Smooth                    | <input checked="" type="checkbox"/> Wet | <input type="checkbox"/> Blue Groove        |
| <input checked="" type="checkbox"/> Bumpy          | <input checked="" type="checkbox"/> Dry | <input type="checkbox"/> Clay               |
| <input checked="" type="checkbox"/> Low Truaction  | <input type="checkbox"/> Sandy          | <input type="checkbox"/> Dusty              |
| <input checked="" type="checkbox"/> Med. Truaction | <input type="checkbox"/> Soft Dirt      | <input checked="" type="checkbox"/> Asphalt |
| <input type="checkbox"/> Higt Truaction            | <input type="checkbox"/> Grass          | <input type="checkbox"/> Other              |

### Option Parts

Comment :

ボディはシトロエンを使用