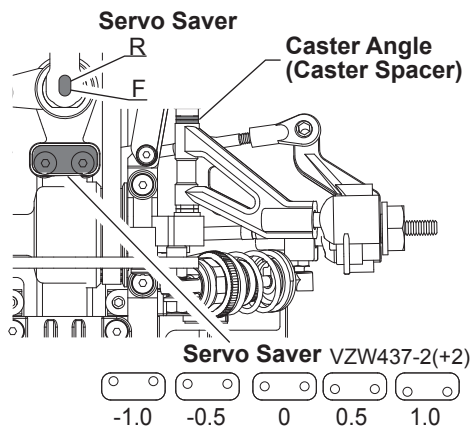
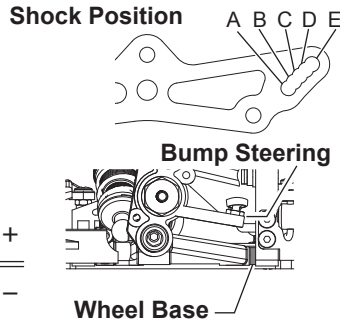
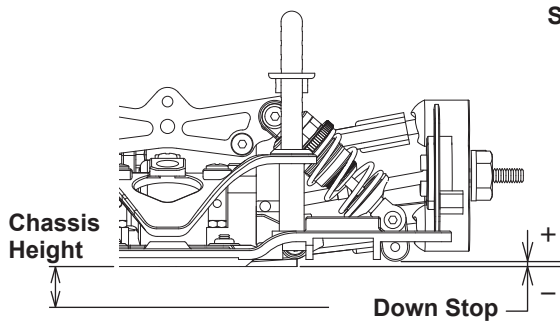


V-ONE R4EVO.2

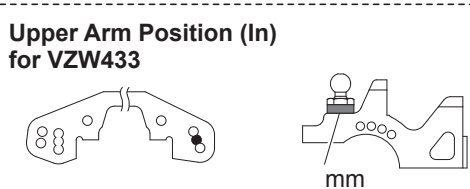
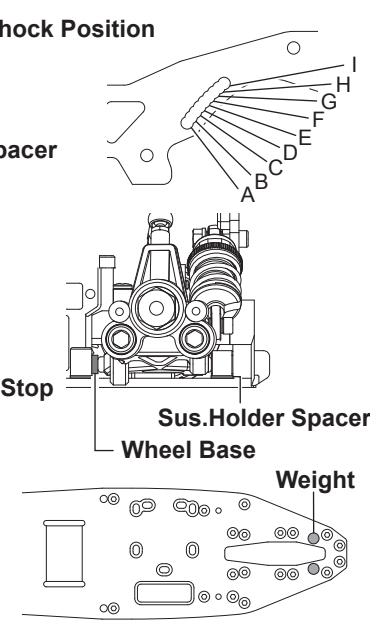
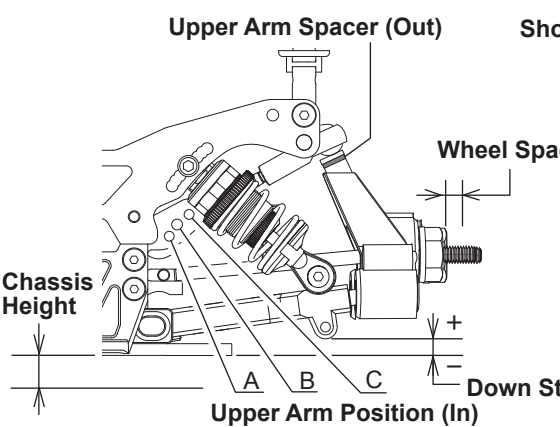
SET UP SHEET Ver 1.00

Name	FUMA	Temp	°C	Engine	OS T1203	Muffler	OS 1070
Date	2019/09/08	Humidity	%	Head Clearance	Standard mm	Fuel Type	NASA
Track	Green Park	Traction	%	Plug No.	RP6	Radio	SANWA M12



Servo Saver	(F) (R)	-1.0	(-0.5)	0	0.5	1.0
Wheel Base	(N)	Short				
Upper Arm Front		(O)	(●)	(O)		
Upper Arm Rear		(O)	(●)	(O)		
Bump Steering	(N)	mm				
Knuckle Type		(0 deg)	1 deg	2 deg		

Shock Type	Standard(VVC)	
Shock Oil	1000	
Shock Piston	3-1.1(W5307-09)	
Shock Top / Pressure Form	8x4(W5302-02)	
Spring / Spring Sheet	Purple(W5308-154)	
Ball End Type	LD(W5308-1)	
Shock Position	A B (C) D E	
Caster Angle(Spacer)	2 mm	
Camber Angle	L	0 0.5 1 1.5 (2)
	R	0 0.5 1 1.5 (2)
Toe Angle	-1 deg	
Front Width	198 mm	
Down Stop	-1.5 mm	
Wheel Spacer	0.5 mm	
Sway Bar	(VZ084SS) VZ084S VZ084	
Tire / Insert		
Chassis Height	6.5 mm	
Weight Position	mm	
Front Diff. Oil	70万(100万:50万=1:1)	



Shock Type	Standard(VVC)	
Shock Oil	1000	
Shock Piston	2-1.2(W5307-12)	
Shock Top / Pressure Form	8x4(W5302-02)	
Spring / Spring Sheet	Green(W5308-164)	
Ball End Type	LD(W5308-1)	
Shock Position	A B C D E (F) G H I	
Wheel Spacer	0 mm	
Upper Arm Position (In)	B	
Upper Arm Spacer (Out)	2.5 mm	
Camber Angle	L	0 0.5 (3.0 deg)
	R	0 0.5
Toe Angle	2.5 deg	
Rear Width	199 mm	
Down Stop	+1.5 mm	
Sway Bar	(VZ433-2.2) 2.2 mm	

Clutch Type	(Swing) Push	Pinion Gear	(AL) STEEL (15) 16 17 / 20 (21) 22 23
Clutch Shoe	Yellow(VZW442-04Y)	Spur Gear	(59) 60 61 / 54 (55) 56
Clutch Weight	Standard	Drive Ratio	(23T Pully 384Belt)
Clutch Spring	(VZW442-08) 1.8 mm		24T Pully 387Belt
Clearance	0.5 mm	Rear Diff. Oil	3万
Adjust Nut	0.9 mm	Sus. Holder Spacer	Front 0 /Rear 0.75 mm

Tire / Insert	
Chassis Height	8.0 mm
Lower Arm Position	(O) (ZERO) (O) (OUT 1mm)
Weight	
Wheel Base	(N) Short
Body	SRC SPARK

memo : used VZW428, VZW431, VZW432, VZW433, VZW437-2, VZW438, VZW439, VZW440, VZW443, VZW444.
 TH Servo SANWA PGS-LH(SSR/HS) / ST Servo PGS-XR / RX(SSR/HS) ,RX Battery MuchMore Li-Po 2500mA 4C.
 30g Weight under the Battery. Use IGW008-04(spring only) for 2Speed.