

Inferno 1/10 SET UP SHEET

ver.1.03



Name of Driver		Date		Track		Engine		Plug		Muffler	
ATSUSHI KAWAMOTO		2022.11.27		RC Land TAKI		O.S B2104		O.S P3		O.S T-2090	
Spur Gear		Clutch Bell		Clutch Spring		Clutch Shoe		Tire		Tire Insert	
47 T		<input type="checkbox"/> Std. <input checked="" type="checkbox"/> LW 13 T		<input type="checkbox"/> 0.90 <input checked="" type="checkbox"/> 1.00 <input type="checkbox"/> 0.95 <input type="checkbox"/> 1.10		Carbon x Aluminum x 3		Tire : <u>HOT RACE</u> Compounds: <u>SS</u>		HOT RACE KYOSHO TKI2 KLOTZ	

● Diff. Gear Set-Up

	Front	Center	Rear
Diff. Gear	<input checked="" type="checkbox"/> 10/20 <input type="checkbox"/> 12/18 <input type="checkbox"/> LSD <input checked="" type="checkbox"/> 43/13 <input type="checkbox"/> 42/12 #10000	<input checked="" type="checkbox"/> 10/20 <input type="checkbox"/> 12/18 <input type="checkbox"/> LSD <input checked="" type="checkbox"/> Small <input type="checkbox"/> Large #10000	<input checked="" type="checkbox"/> 10/20 <input type="checkbox"/> 12/18 <input type="checkbox"/> LSD <input checked="" type="checkbox"/> 43/13 <input type="checkbox"/> 42/12 #5000

● Shock Set-Up

	Front	Rear
Shock Type	Size 50 type P	Size 55 type P
Shock Piston	B φ 1.2 x 8	W φ 1.3 x 8
Shock Oil	# 500	# 600
Shock Spring	IFS001-7515	IFS002-8515

● Ride Height

Front	Rear
23 mm	29 mm

● Rebound

Front	Rear
105 mm	116 mm

● Camber Angle

Front	Rear
+ 2 °	+ 2.5 °

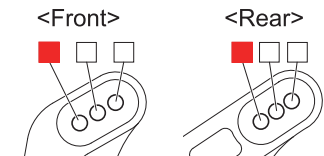
● Toe Angle

Front	Rear
+ 2 °	<input checked="" type="checkbox"/> 2.5° <input type="checkbox"/> 3° <input type="checkbox"/> 3.5°

● Wheelbase

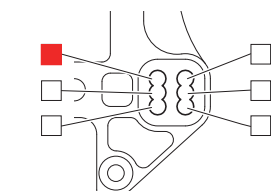
Collar of Rear Hub	Front Side <u>5</u> mm	Rear Side <u>0</u> mm
--------------------	------------------------	-----------------------

● Shock Mount Position

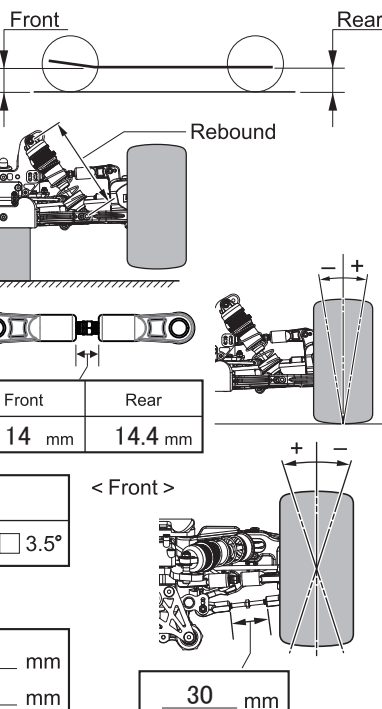


Sus. Arm	Front	<input type="checkbox"/> In <input checked="" type="checkbox"/> Out
	Rear	<input checked="" type="checkbox"/> In <input type="checkbox"/> Out

● Rear Upper Arm Position



Rear Wheel Hub	<input checked="" type="checkbox"/> Narrow <input type="checkbox"/> Std. <input type="checkbox"/> Wide
----------------	--



Shock Stay	Front	<input type="checkbox"/> Short <input checked="" type="checkbox"/> Long
		<input type="checkbox"/> Alu <input checked="" type="checkbox"/> Carbon
	Rear	<input type="checkbox"/> Short <input checked="" type="checkbox"/> Long
		<input type="checkbox"/> Alu <input checked="" type="checkbox"/> Carbon
Shock Bush	Front	<input checked="" type="checkbox"/> Short <input type="checkbox"/> Std. <input type="checkbox"/> Long
	Rear	<input type="checkbox"/> Short <input checked="" type="checkbox"/> Std. <input type="checkbox"/> Long

Hub Carrier Bush	<input type="checkbox"/> Plastic <input checked="" type="checkbox"/> Aluminum
	<input checked="" type="checkbox"/> Plastic <input type="checkbox"/> Brass

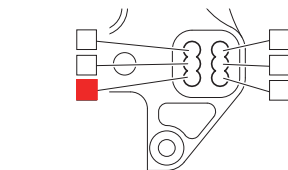
● Front Sus. Arm

Front Sus. Arm	<input type="checkbox"/> SS <input checked="" type="checkbox"/> Soft (Std.) <input type="checkbox"/> Hard
----------------	---

● Front Sus. Bush

Front Sus. Bush	Rear Side <input type="checkbox"/> <input checked="" type="checkbox"/>
-----------------	--

● Front Upper Arm Position

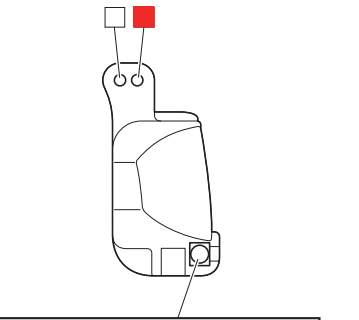


● Front Wheel Hub

Front Wheel Hub	<input checked="" type="checkbox"/> Narrow <input type="checkbox"/> Std. <input type="checkbox"/> Wide
-----------------	--

● Front Hub Carrier

Front Hub Carrier	<input type="checkbox"/> Plastic <input checked="" type="checkbox"/> Aluminum
	<input type="checkbox"/> 13° <input checked="" type="checkbox"/> 16° <input type="checkbox"/> 17.5° <input type="checkbox"/> 19° <input type="checkbox"/> 22°



● Rear Sus. Bush

Rear Sus. Bush	Front Side <input type="checkbox"/> <input checked="" type="checkbox"/>
	Rear Side <input checked="" type="checkbox"/> (2.5) (2.5) <input type="checkbox"/> (3) (3) <input type="checkbox"/> (3.5) (3.5)
	<input type="checkbox"/> (2) (2) <input type="checkbox"/> (3) (3) <input type="checkbox"/> (3) (3)

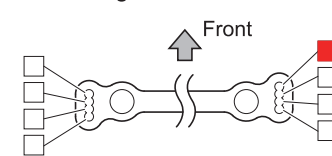
● Rear Sus. Arm

Rear Sus. Arm	<input type="checkbox"/> Soft (Std.) <input checked="" type="checkbox"/> Hard
Rear Sus. Bush	<input type="checkbox"/> Short <input checked="" type="checkbox"/> Medium <input type="checkbox"/> Long

● Servo Horn

Servo Horn	Steering	Throttle
	<input type="checkbox"/> Plastic <input checked="" type="checkbox"/> AL. Long	<input checked="" type="checkbox"/> Plastic <input type="checkbox"/> AL. Short

● Steering Plate



● Sway Bar

Sway Bar	Front	Rear
	φ 2.4	φ 2.3
	0 mm	0 mm

● Weight

Weight	Front	Rear
	<input checked="" type="checkbox"/> None <input type="checkbox"/> IFW604-10 <input type="checkbox"/> IFW604-20 <input type="checkbox"/> other	<input checked="" type="checkbox"/> None <input type="checkbox"/> IFW605-10 <input type="checkbox"/> IFW605-20 <input type="checkbox"/> other

● Wing

Wing	<input checked="" type="checkbox"/> IF491(TK14) Flap <input checked="" type="checkbox"/> None <input type="checkbox"/> 5mm <input type="checkbox"/> 8mm
	<input checked="" type="checkbox"/> Holes

memo: