

FW-06 SET UP SHEET



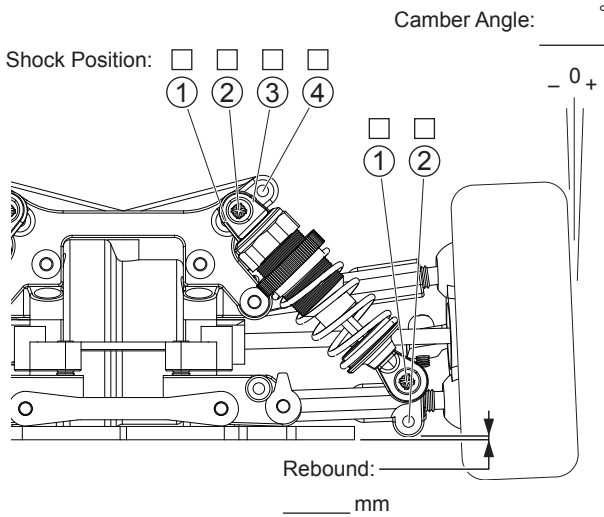
Name _____

Date _____ / _____ / _____

Truck/City _____

Temperature/Humidity/Weather _____

Front

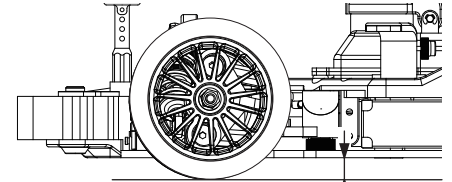
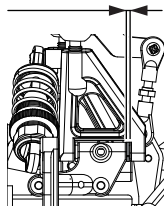


Front Knuckle Arm :

- Normal
- VZ201B (0°)
- VZ201B-1 (1°)
- VZ201B-2 (2°)

Spacer (Caster Angle):

- 2mm (10°)
- 1mm (8°)
- 0mm (6°)



Ride Height: _____ mm

Stabilizer:

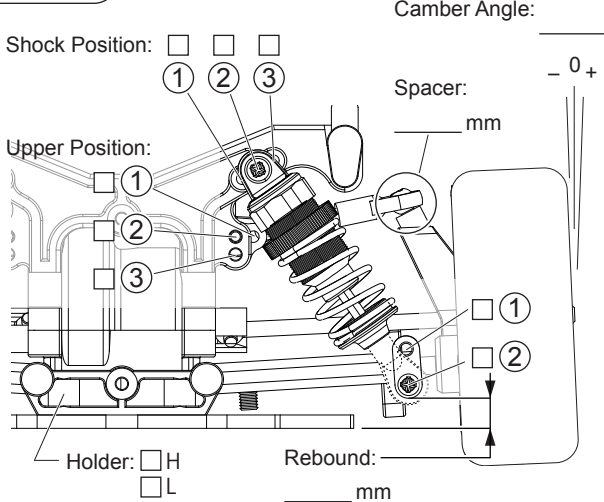
- N
- S
- SS

Front Diff.:

- Spool
- Oneway
- 2 Bevel
- 4 Bevel

Diff. Oil

Rear

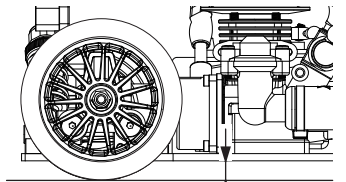


Stabilizer:

Rear Diff.:

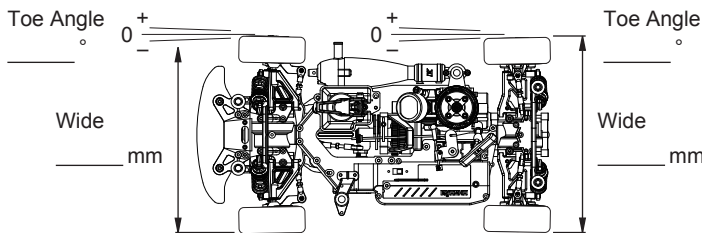
- 2 Bevel
- 4 Bevel

Diff. Oil



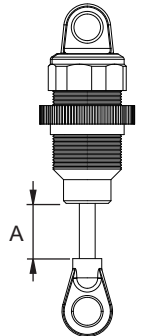
Ride Height: _____ mm

Toe Angle & Chassis Width



Shock

	Front	Rear
Damper Top	_____	_____
Diaphragm	_____	_____
Shock Oil	# _____	# _____
Shock Spring	_____	_____
O-Ring	_____	_____
Shock Length A	_____ mm	_____ mm
Spring Seat	_____	_____
Damper End	<input type="checkbox"/> S <input type="checkbox"/> M <input type="checkbox"/> L	<input type="checkbox"/> S <input type="checkbox"/> M <input type="checkbox"/> L



Comments : _____

Tire

Tire _____

Tire Insert _____

Wheel _____

Traction Compound 1st: _____ 2nd: _____

Comments _____

Others

Engine _____ Fuel _____ Plug No. _____

Head gasket _____ Manifold _____ Muffler _____

Clutch Spring _____ Clutch Shoe _____ Bell gear 20 21 22 23 / 25 26 27 28

Spur Gear 50 51 / 45 46 Body _____ Wing _____ / + °

Comments : _____