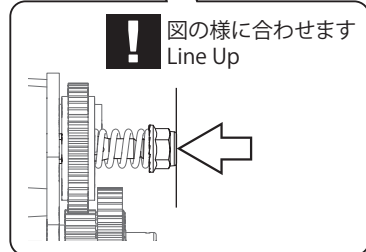
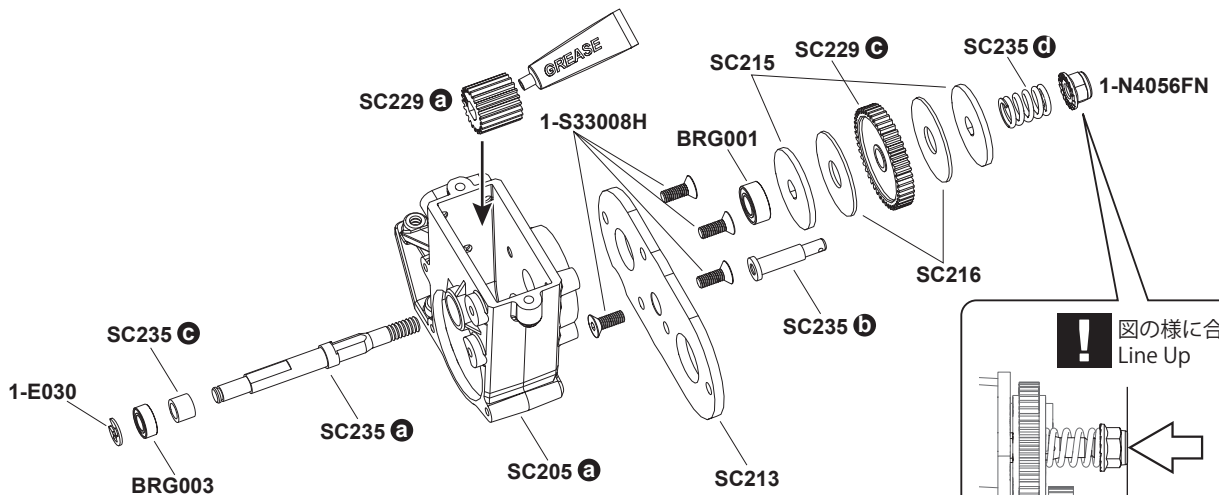
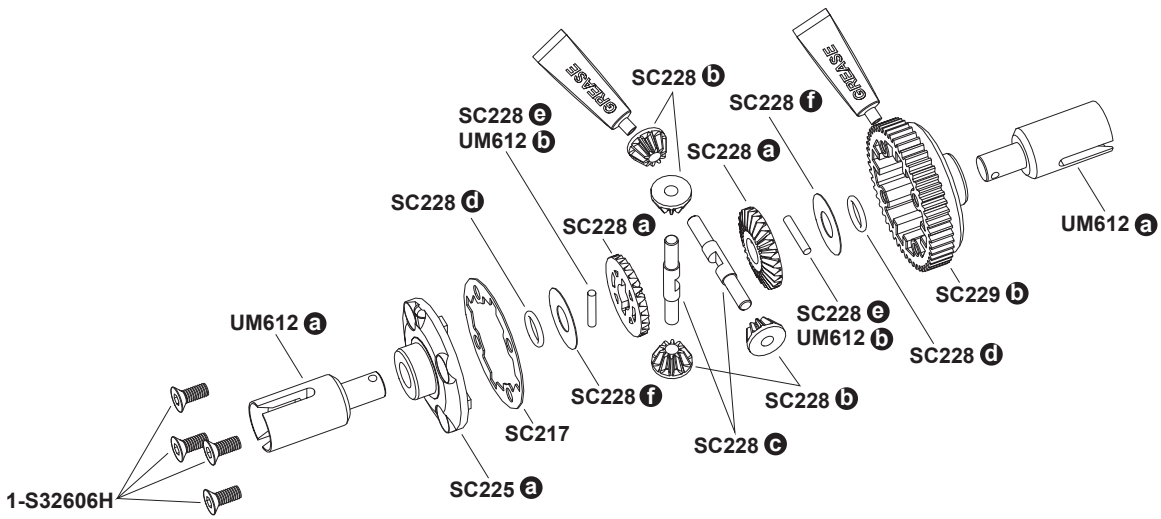
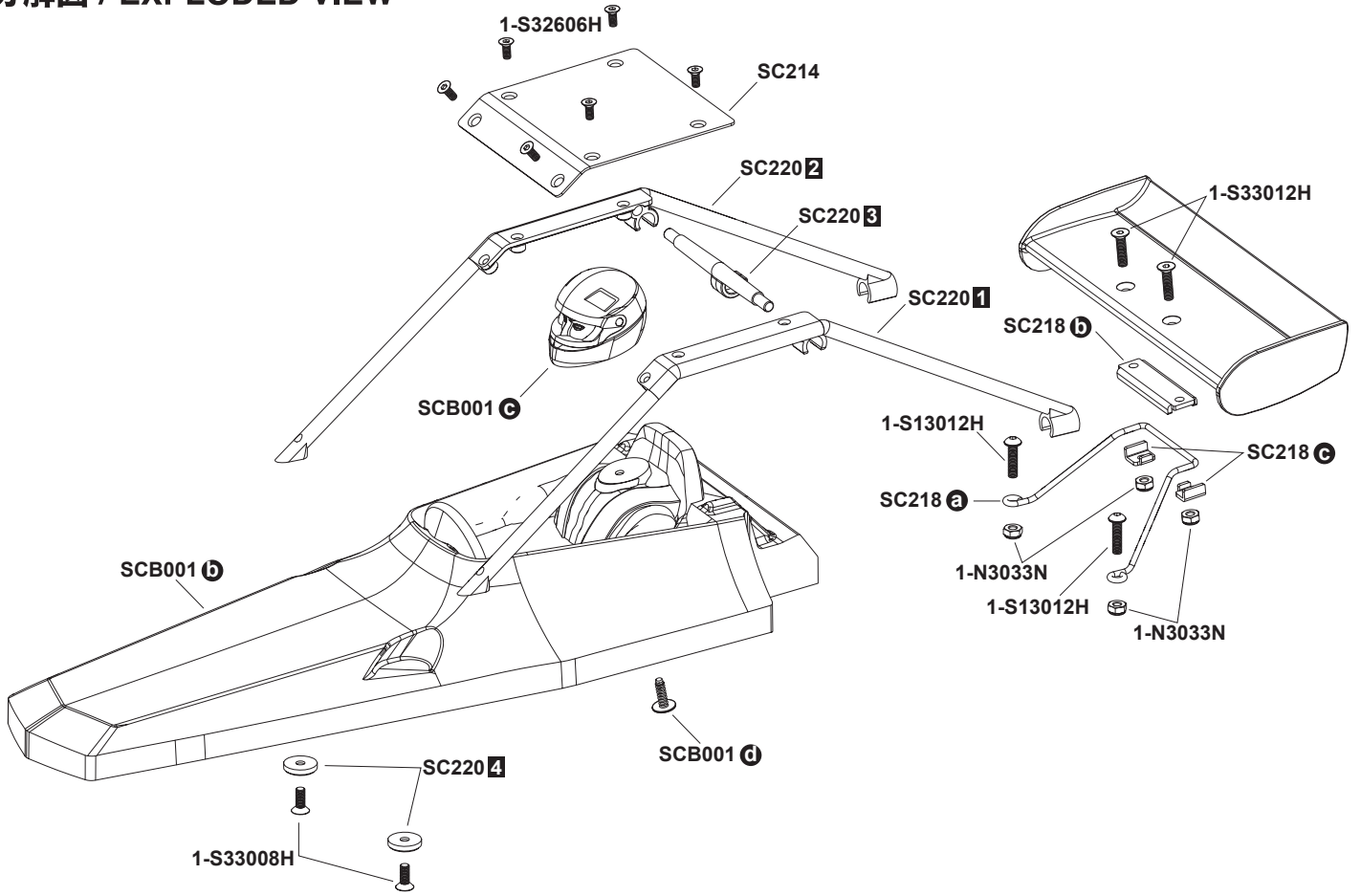
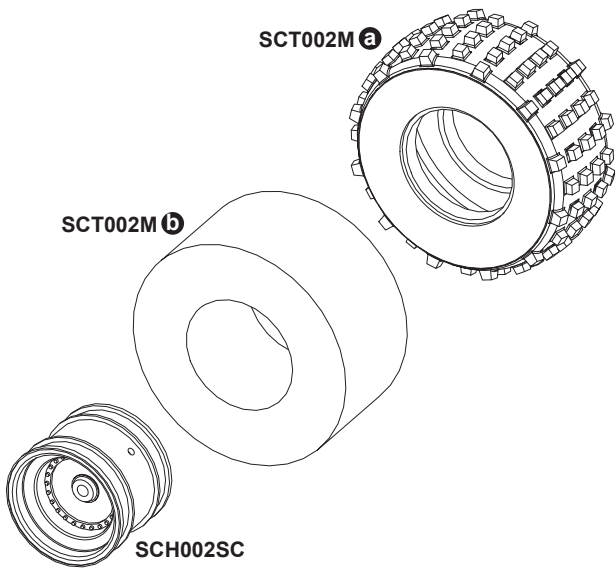
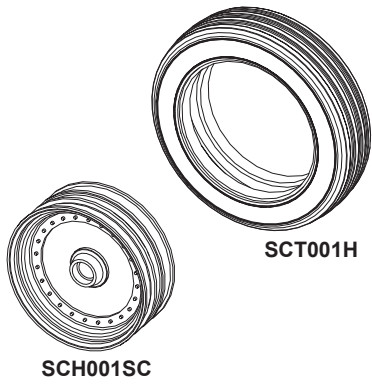
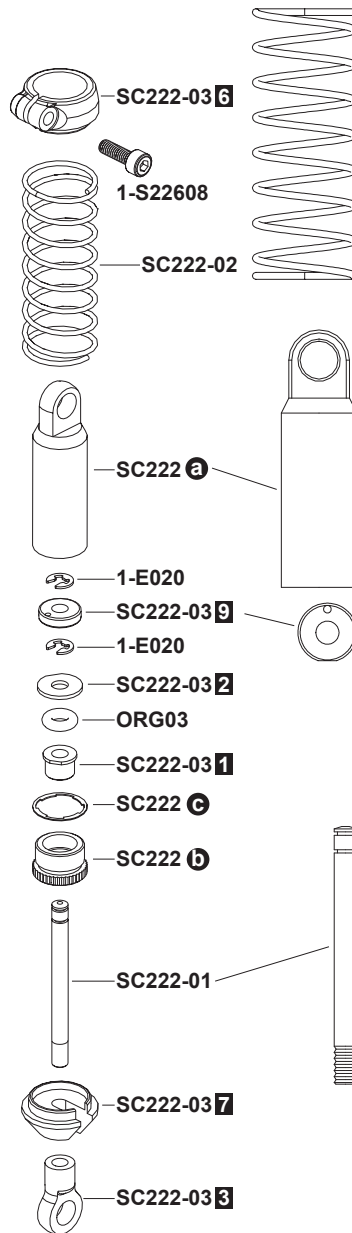


分解図 / EXPLODED VIEW

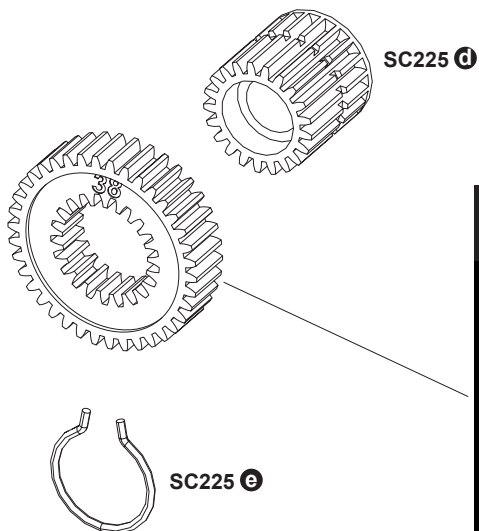
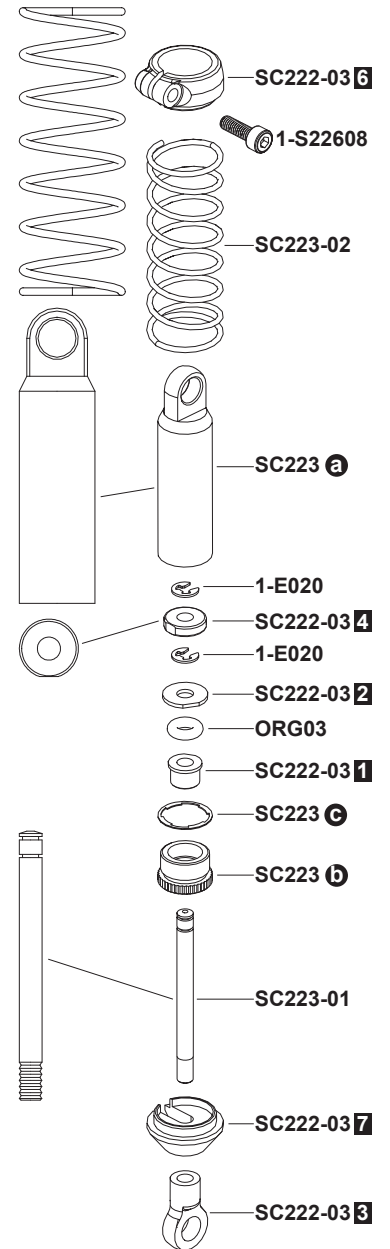




Front SC222



Rear SC223



Gear Ratio Chart

1:1	6.9 : 1	8.3 : 1
<p>SC230 a Motor Pinion 31T Gear</p>	<p>SC225 c Spur Gears 38T</p>	<p>SC230 b Motor Pinion 28T Gear</p> <p>SC225 d Spur Gears 41T</p>