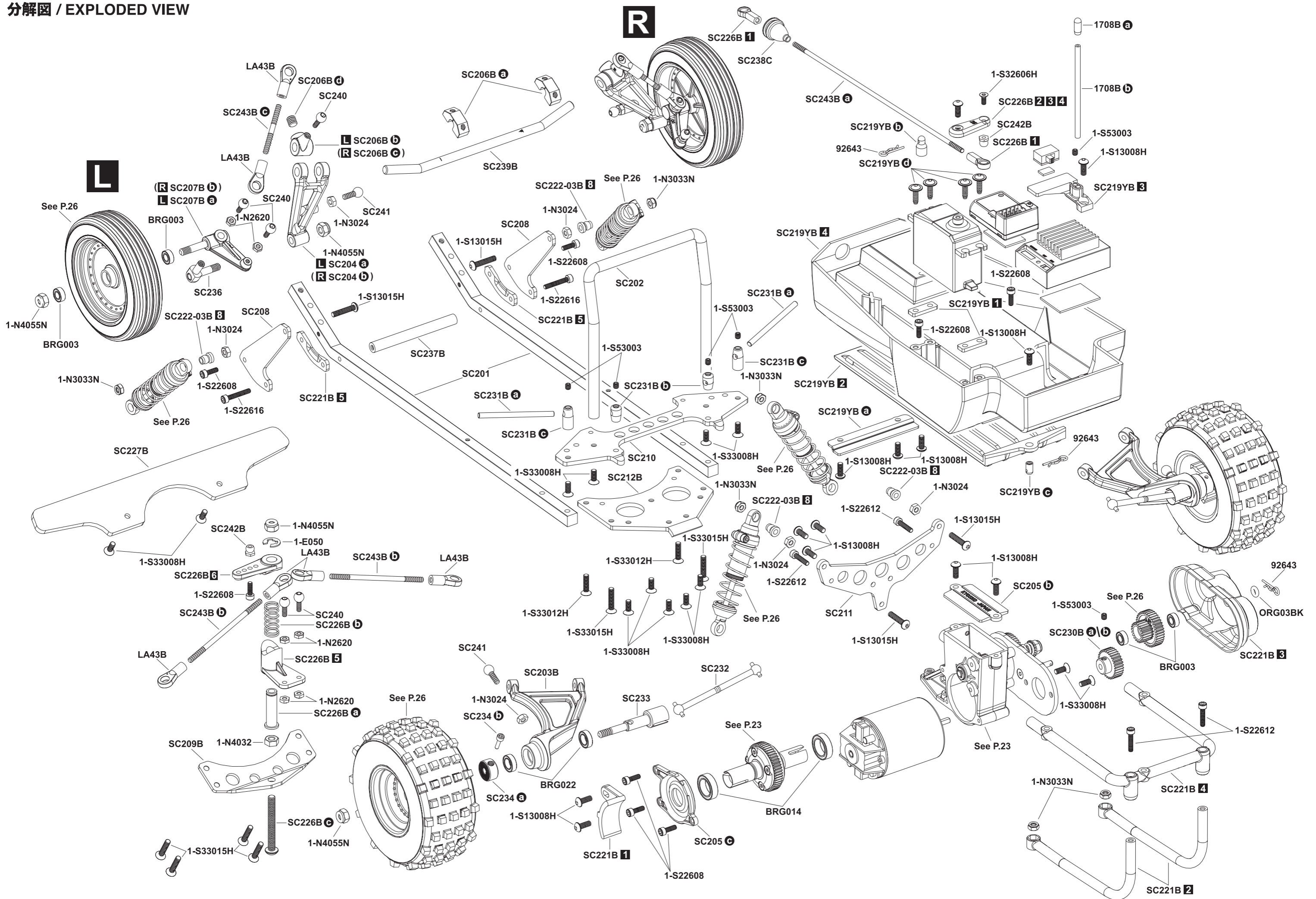
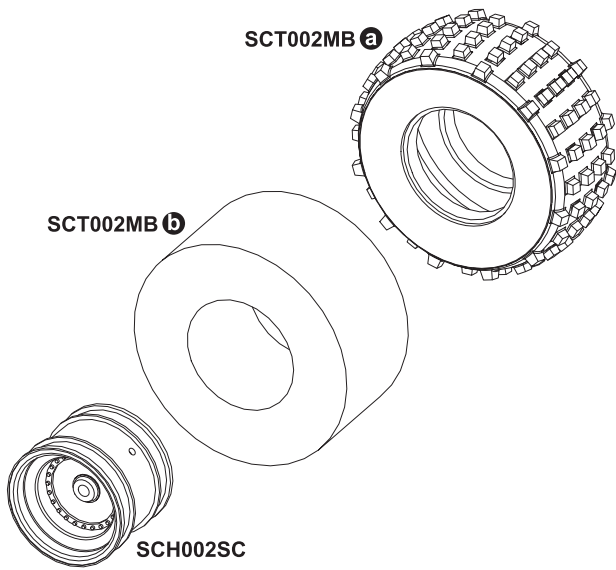
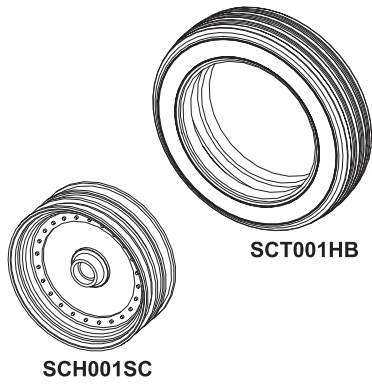


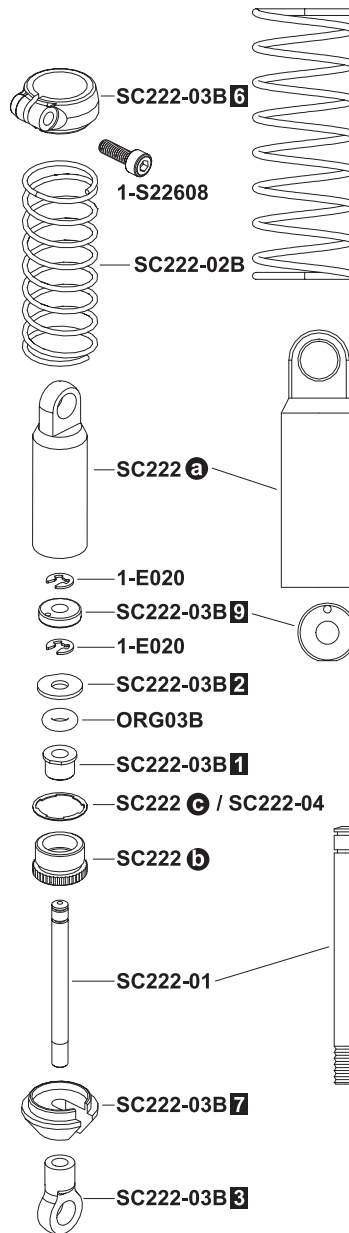
分解圖 / EXPLODED VIEW



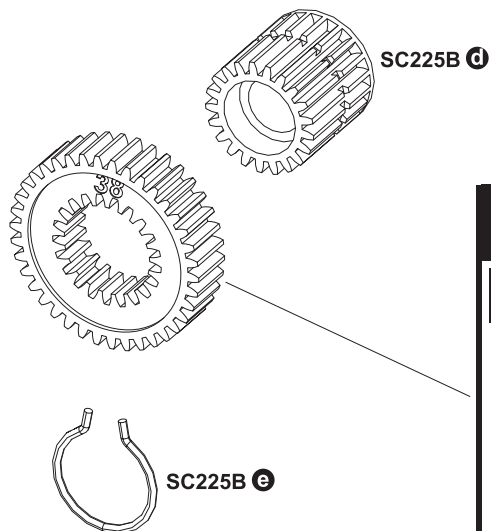
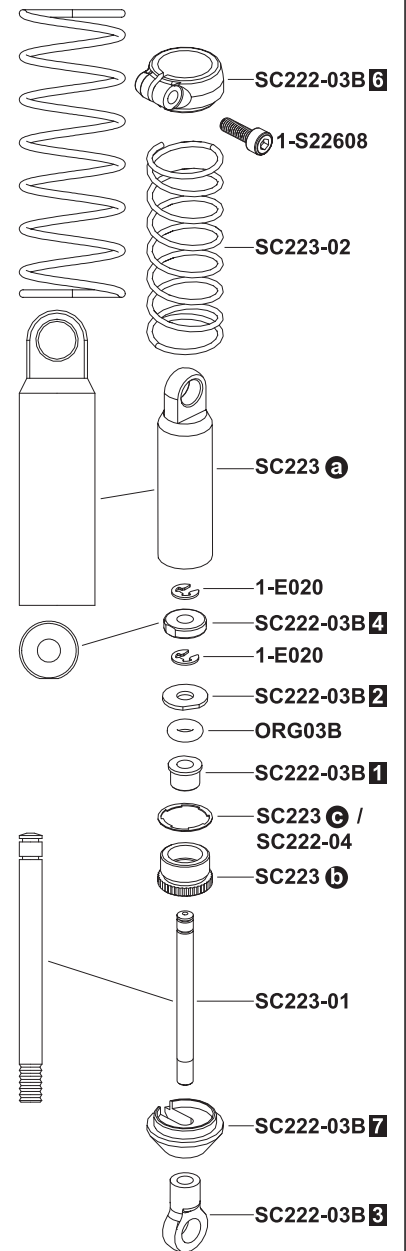
分解图 / EXPLODED VIEW



Front SC222



Rear SC223



Gear Ratio Chart

6.9 : 1	8.3 : 1
<p>SC230B a Motor Pinion 31T Gear</p> <p>SC225B c Spur Gears 38T</p>	<p>SC230B b Motor Pinion 28T Gear</p> <p>SC225B d Spur Gears 41T</p>