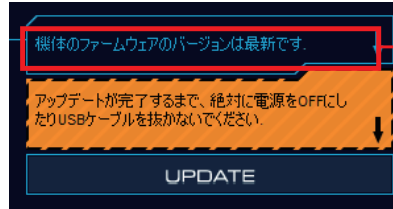
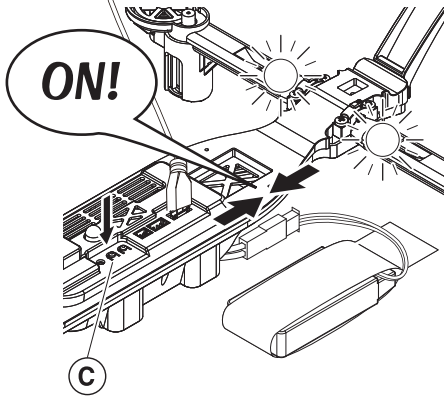


Troubleshooting Guide

Q. Firmware can not be updated

A. Repair the firmware using the Setting Manager following the steps below.

- ① Connect a battery to the drone while press and hold the C button. Then release the button and make sure that the front and rear LEDs are on solid.
- ② Start the Setting Manager and click the firmware UPDATE button to update the firmware. The repair is done when the operation is finished.



Ignore this message.

- *It will take about a minute to finish the update.
- *You can do this operation regardless of whether the connection status is ON or OFF. So, you don't need to click the CONNECT button.